



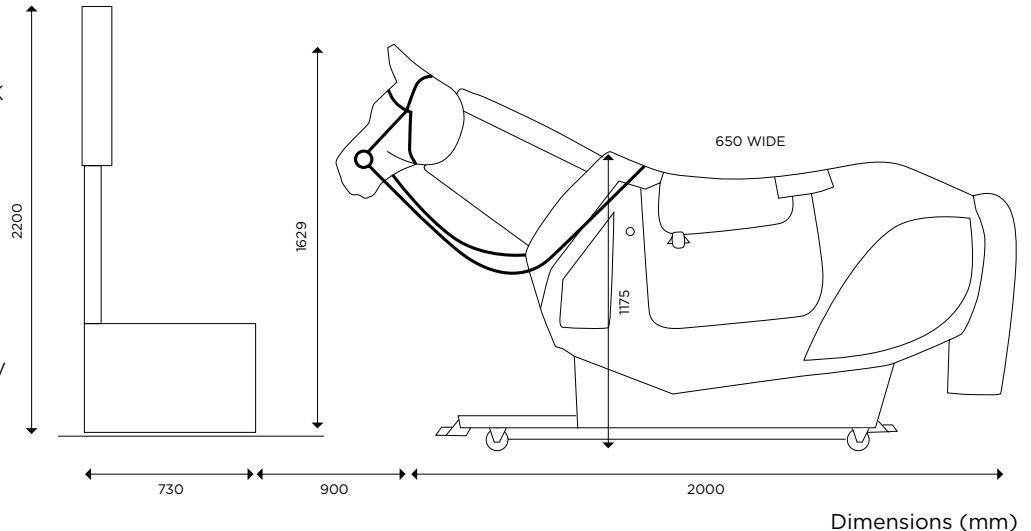
# **MK10 Racehorse**

# MK10 Racehorse

## Standard features

Interactive sensor feedback shown on screen; neck pressure and rider synchronisation with the horse, reins, saddle and front and rear whipping pads. Heart rate monitor. Manual and autotraining routine with feedback. Fully interactive race simulation. Handheld controller. TV, bridle and reins included.

Maximum riding weight - 100kg.



## Optional additions

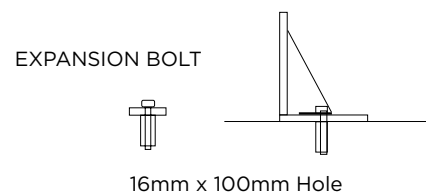
Bespoke racecourse.

## Required door width and ceiling height

The simulator can not easily be moved up or down steps and will not bend in the middle, please consider this when you are planning the location of your simulator. Minimum door width of 700mm, door height of 1981mm and ceiling height of 2800mm required.

## Floor fixing

Smooth level concrete floor recommended 1 expansion bolt drilled into floor at the front of the horse and 1 expansion bolt drilled into the floor at the rear of the horse. This simulator must be bolted to the floor prior to use.



## Power consumption

210-23 Volts, 50/60Hz, 8 Amps. An earth leakage circuit breaker must be installed in accordance with local regulations. Please consult with a qualified electrician. Simulator supplied with fused 13 Amp UK plug.

## Location and environment

Dry, dust free environment, with no extreme variations in temperature range of 0 to 45 degrees Celsius (32 to 113 degrees Fahrenheit). Do not connect this product to the internet.